



THIS BULLETIN IS FAA APPROVED FOR ENGINEERING DESIGN

SUBJECT: Mooney wing to fuselage attach fitting plates part number 340035- 501 and 340035- 502

MODELS/ SN M20R - 29-0523 thru 29-0525
AFFECTED: M20TN - 31-0142, 31-0143

TIME OF COMPLIANCE: **ONE-TIME INSPECTION WITHIN NEXT 20 FLIGHT HOURS**

INTRODUCTION: Mooney International Corporation has determined the possibility of the existence of oversized holes in the 340035- 501 & 340035- 502 attach plates. Discrepant plates were static tested to ultimate loads under several scenarios with no detectable yielding to parts or hardware. This will require a 1- Time inspection and repair (if found incorrect) for the affected aircraft.

INSTRUCTIONS: **Read entire procedures before beginning work.**

- 1.1. From outside aircraft, remove both lower inspection panels to allow access to spar/wing attach plates (see Figure M20-327-1). Keep hardware for re-assembly.
- 1.2. From Inside aircraft, The pilot and co-pilot seats are removed by removing MS27039-0818 Screws, MS21042-8 Nuts and 140188-001 Bushings and 140339-001 Stops (bag and identify bushings for reassembly) forward and aft; push seat forward to lift up front of seat structure, then aft to lift up rear rollers of seat structure per applicable Mooney Service and Maintenance Manual (see Figure M20-327-2). Keep hardware for re-assembly.
- 1.3. Remove rear seat and plastic seat pan per the applicable Mooney Service and Maintenance Manual (see Figure M20-327-2). Keep hardware for re-assembly.
- 1.4. Remove one bolt at a time, note the stack-up of washers during removal for re-assembly, use reference sheet to Note hardware on Figure M20-327-3.
- 1.5. Measure hole diameter with GO/No-Go Gauge (see Figure M20-327-4). If hole diameter is within specification (.256" thru .273") install new hardware, use reference sheet noted during dis-assembly on Figure M20-327-3 and then proceed to **Step 1.7.** of this Service Bulletin M20-327.
- 1.6. If hole diameter is not within the noted specification - Please contact Mooney Customer Support at support@mooney.com for further action.
- 1.7. Re-Install seat pan tray and seat, per the applicable Service and Maintenance Manual.
- 1.8. Re-Install rear and front seats as required, refer to the applicable Service and Maintenance manual.
- 1.9. Re-Install both wing inspection panels as required.

NOTE:

The attached compliance card needs to be filled out and returned to Mooney International Corporation upon completion of this Service Bulletin M20-327.

- 1.10. Return aircraft to service.
- 1.11. Procedure complete.



THIS BULLETIN IS FAA APPROVED FOR ENGINEERING DESIGN

WARRANTY: Mooney International Corporation will warrant labor 3 hours when inspection is done in accordance with procedures of this Service Bulletin for aircraft currently covered under the Mooney International Corporation factory warranty program.
For repair, Mooney International Corporation will perform the necessary component repair at the Mooney Factory Service Center when schedules are established between aircraft owners and Mooney International Corporation.

REFERENCE DATA:

1. Applicable Mooney Service and Maintenance Manual
2. Contact: support@mooney.com for further action.
3. FAA AC43.13- 2B (or current revision)

Parts Kit P/N: Service Bulletin Kit M20-327- 001

| <u>Item</u> | <u>P/N</u> | <u>Description</u> | <u>Qty</u> |
|-------------|---------------|--------------------|------------|
| 1. | AN4- 16A | BOLT (LOWER) | 2 |
| 2. | AN4- 17A | BOLT (UPPER) | 2 |
| 3. | NAS1149F0463P | WASHER (THICK) | AR |
| 4. | NAS1149F0432P | WASHER (THIN) | AR |
| 5. | MS21045L4 | NUT | 4 |



THIS BULLETIN IS FAA APPROVED FOR ENGINEERING DESIGN

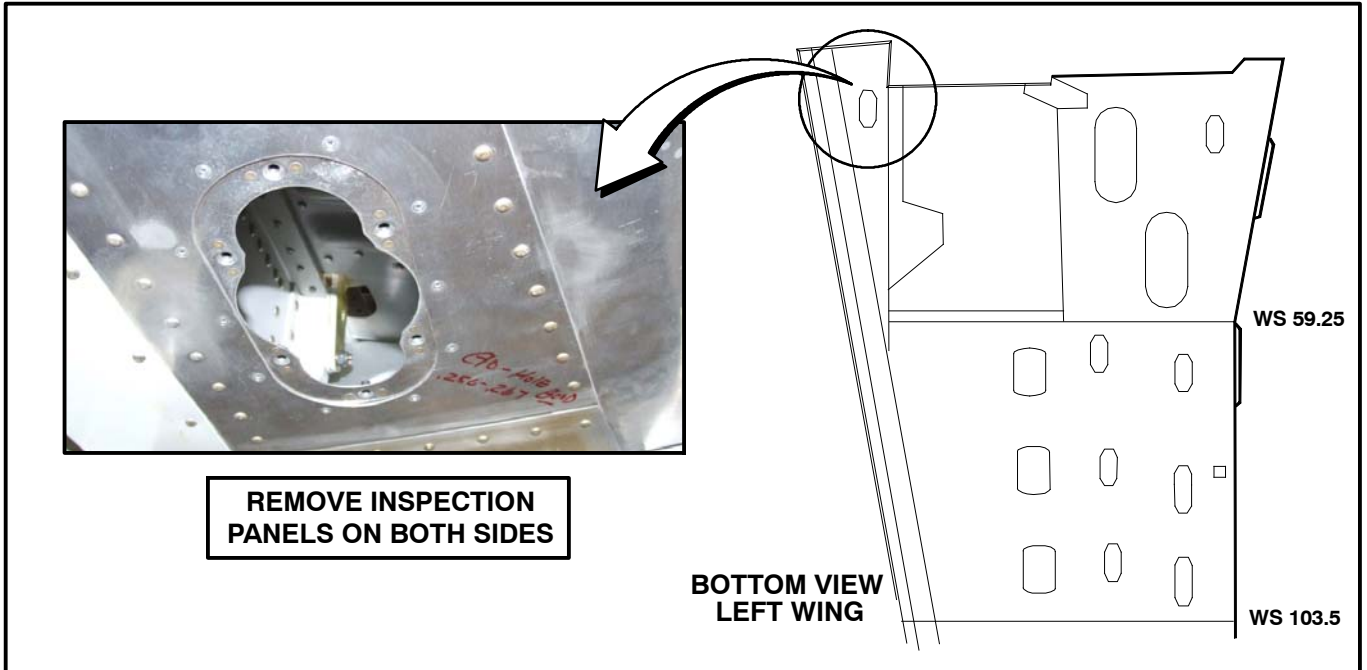


Figure SB M20-327-1 - REMOVING INSPECTION PANELS - LH/RH SIDES

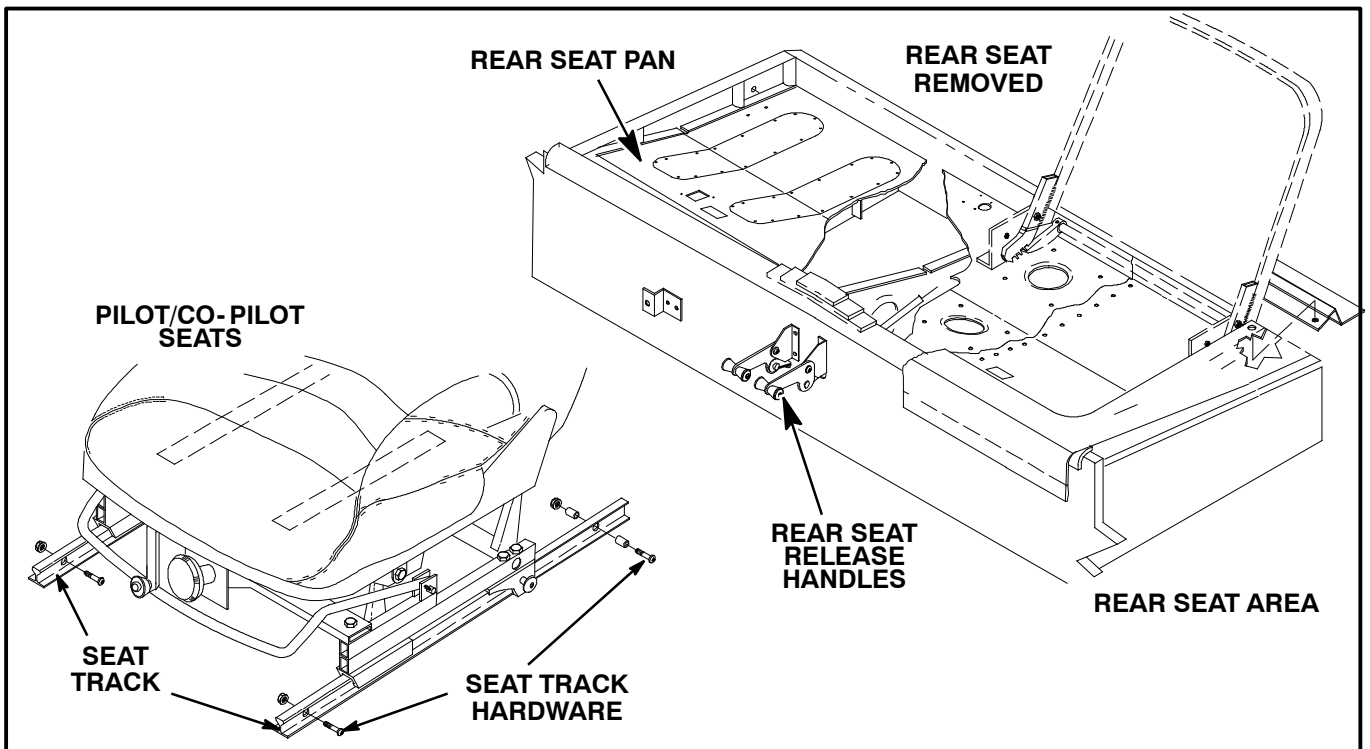


Figure SB M20-327-2 - REMOVING INTERIOR SEATS



THIS BULLETIN IS FAA APPROVED FOR ENGINEERING DESIGN

**USE THIS CHART FOR BOTH
DIS-ASSEMBLY AND RE-ASSEMBLY**

| Item | Part Number Description | LH QTY | RH QTY |
|-------|--|-----------|-----------|
| A | AN4-17A BOLT | 1 | 1 |
| *NOTE | B <input type="checkbox"/> Thick <input type="checkbox"/> Thin | | |
| | C <input type="checkbox"/> Thick <input type="checkbox"/> Thin | | |
| D | MS21045L4 NUT | 1 | 1 |
| E | AN4-16A BOLT | 1 | 1 |
| *NOTE | F <input type="checkbox"/> Thick <input type="checkbox"/> Thin | | |
| | G <input type="checkbox"/> Thick <input type="checkbox"/> Thin | | |
| H | MS21045L4 NUT | 1 | 1 |

*NOTE:
NAS1149F0463P SAME AS AN960-416 (.063 Thick)
NAS1149F0432P SAME AS AN960-416L (.032 Thin)

NOTES: _____

Figure SB M20-327-3 - HARDWARE INSTALLATION CHART - LH/RH SIDES

**CHECK HOLE DIAMETER
WITH GO/NO-GO GAUGE**

**MAXIMUM HOLE TOLERANCE
.256" THRU .273"**

Figure SB M20-327-4 - CHECKING HOLE DIAMETER



THIS BULLETIN IS FAA APPROVED FOR ENGINEERING DESIGN

MOONEY INTERNATIONAL CORPORATION
KERRVILLE, TEXAS 78028 - FAX 830-257-4635

SERVICE (BULLETIN) (INSTRUCTION) NO. _____ HAS BEEN COMPLIED
WITH ON AIRCRAFT MODEL _____ SERIAL NUMBER _____

Tach. Time: _____ N-Number _____ (Reg. No.)
Owner: _____ Date of Compliance: _____
_____ Complied
By: _____

Inspection Report: _____

Form 07-0001

PLACE
STAMP
HERE

MOONEY INTERNATIONAL CORPORATION
ATT'N: TECHNICAL SUPPORT
165 Al Mooney Road, North
Kerrville, Texas 78028

SEND TO: Mooney International Corporation
165 Al Mooney Road North
Kerrville, TX 78028
FAX: (830) 257-4635 or EMAIL support@mooney.com

Figure SB M20-327-4 - Compliance Card